

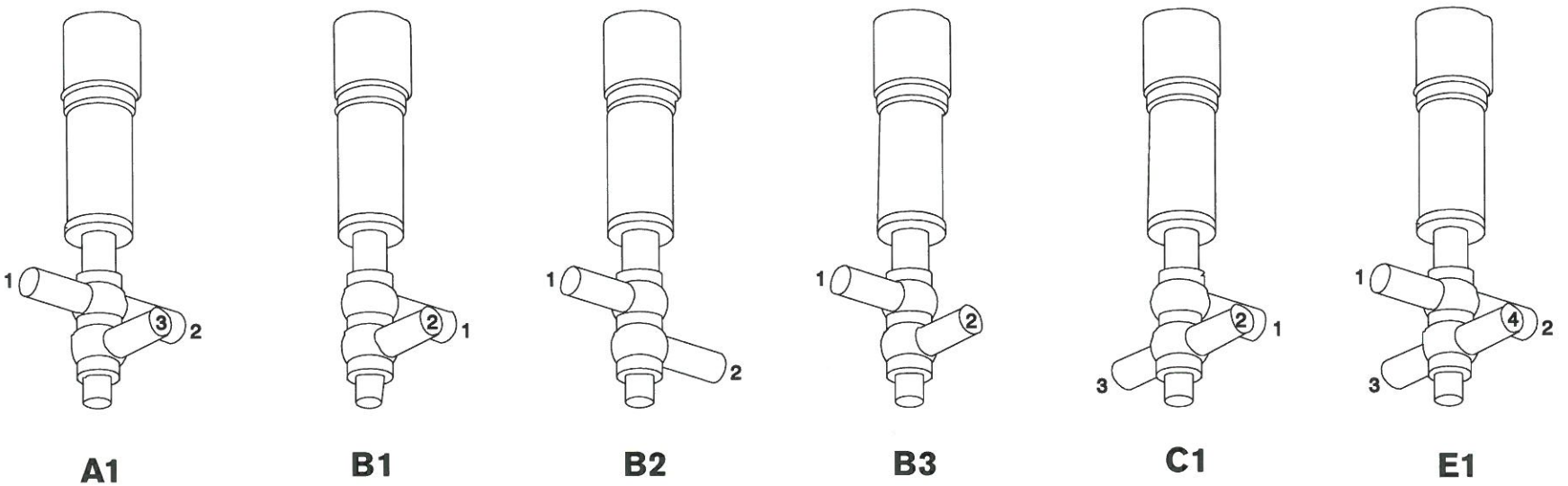
Mix Proof Valve Key



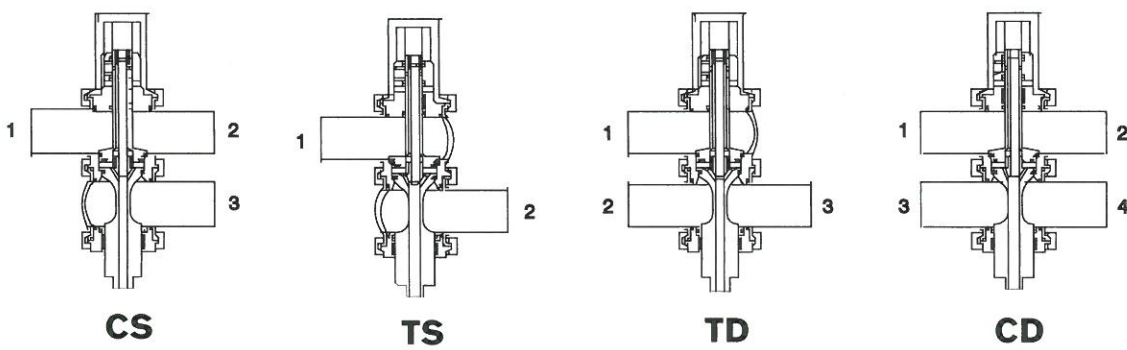
| | | | | | | | | | | | |
|-----|-----|-----|-----|-----|-----|-----|-----|-----|------|------|------|
| (1) | (2) | (3) | (4) | (5) | (6) | (7) | (8) | (9) | (10) | (11) | (12) |
| W75 | E1 | W | 20 | SL | 807 | 43 | 21 | TR | V | 32 | 00 |

Body Configuration

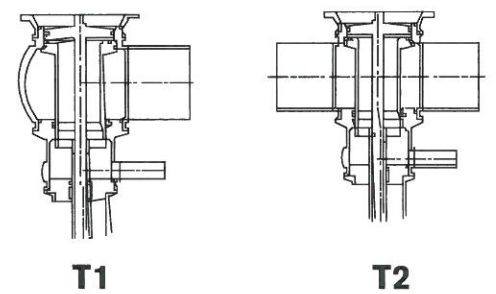
W71/W72RS/W75RS/S4 One Piece Bodies



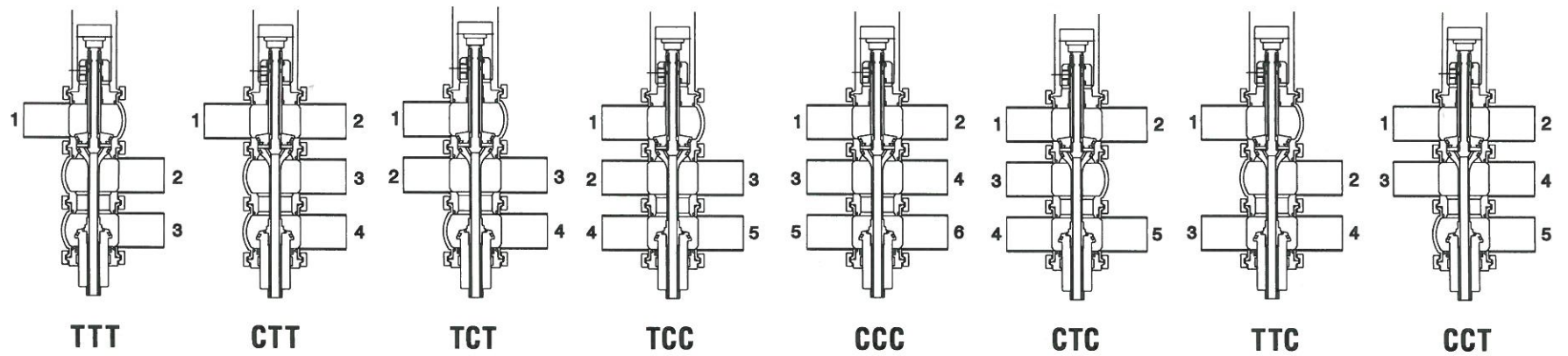
Two Piece Clamped Bodies



Tank Outlet Bodies (W72RS Only)



W73-Divert Three Piece Clamped Bodies



Clamped bodies allow for parts to be rotated in any direction. (Not available for W75RS valves.)